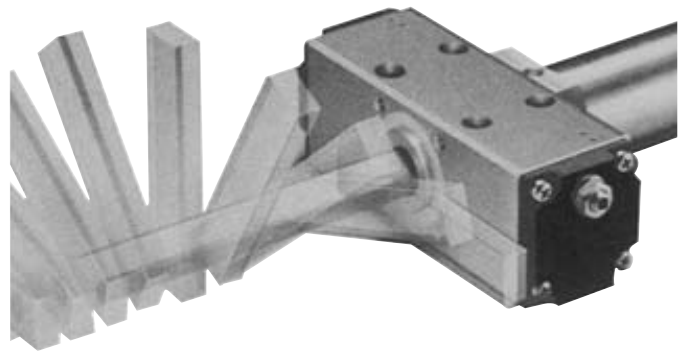
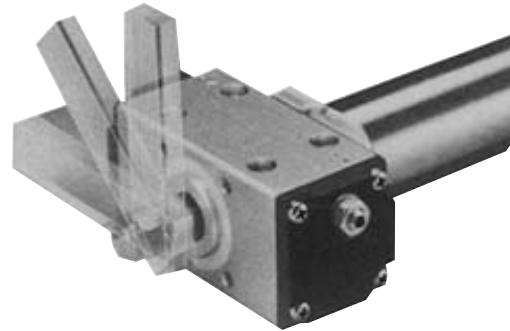


# Humphrey® HSDA SWING CYLINDERS

- Provides linear *and* rotary motion, either simultaneously or alternately.
- Simplifies design; one actuator does the work previously required by a cylinder and rotary actuator.
- Two bore sizes to choose from: 1-inch (25mm) and 1-1/2-inch (40mm).
- Four different swing angles: 45°, 90°, 135° and 180°.
- Design simplicity. Reduces number of components required. Saves space, weight and cost.
- Built-in adjusting screw provides precise adjustment of swing angle.
- Spherical piston bushing provides fast, smooth rotary motion.
- Sensor switches can be applied to detect both linear and rotary functions.



## APPLICATION EXAMPLES

