

**GAST** ROTARY VANE VACUUM PUMPS & COMPRESSORS  
1550 SERIES

**FEATURES**

- Oilless operation
- Pulley driven (multiple speeds possible)
- Rugged construction/low maintenance
- Essentially pulse free service

**INCLUDES**

- Filter AB600F
- Muffler AB600J
- Cooling fan AC326C
- 5" P.D. pulley

[MAIN PAGE](#)  
[DETAIL PAGE 1](#)



**VACUUM PUMP**

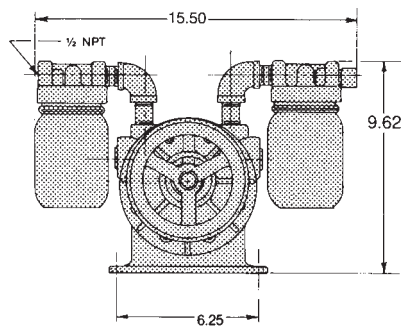
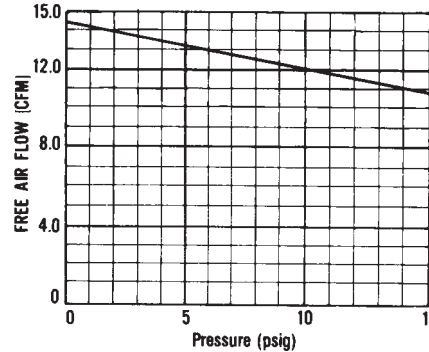
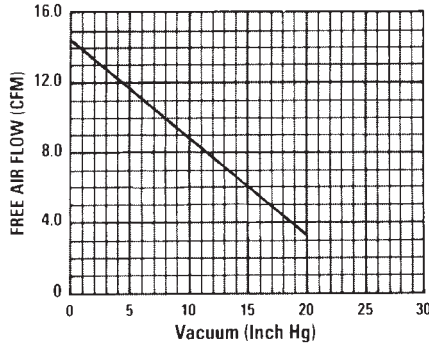


**COMPRESSOR**

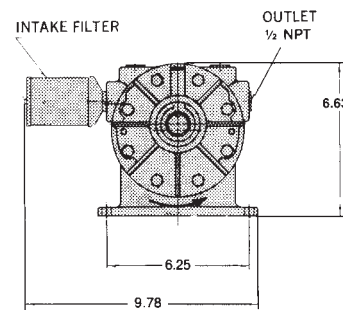
Part No.	Motor	RPM	HP	CFM	Max. Vacuum	Max. psi	Net Wt. Lbs.
1550-V136B	separate drive	1725	3/4	14.5	20" Hg	—	33
1550-P139B	separate drive	1440	1	14.5	—	15	30

**ACCESSORIES**

Description	Part No.
Base	AB889A
Belt guard	AB334B
Pressure relief valve	AA600
Pressure gauge	AA644B
Vacuum relief valve	AA840A
Vacuum gauge	AA640
Repair kit	K231A



**VACUUM**



**PRESSURE**