

ROTARY VANE VACUUM PUMPS • COMPRESSORS

1531 SERIES

FEATURES

- Oilless operation
- Motor mounted
- Rugged construction/low maintenance
- Essentially pulse-free service

INCLUDES

- Muffler
- Filter
- Thermotector (on AC models only)

[MAIN PAGE](#)
[DETAIL PAGE 1](#)



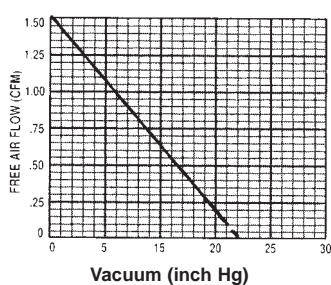
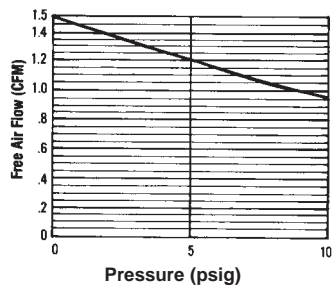
ACCESSORIES

Description	Part No.
Vacuum relief valve	AA204
Vacuum gauge	AA641
Repair kit	K219 (1531)
Pressure relief valve	AA203
Pressure gauge	AA644B

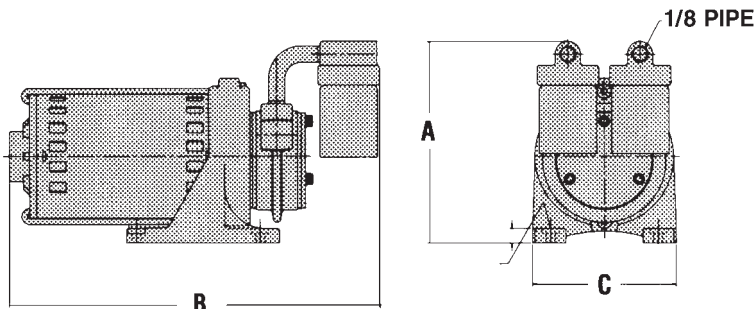
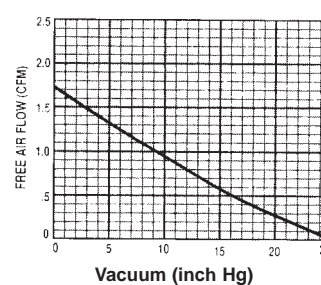
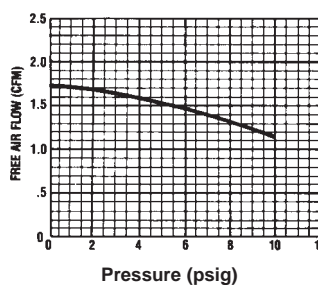
Part No.	Motor	RPM	HP	CFM	Max. Vacuum	Max. (psi)	Net Weight (lbs.)
1531-107B-G288X	115-60/50-1	3450	1/10	1.50	20" Hg	10	8
1531-107B-G557X	115-60/50-1†	3450	1/10	1.50	20" Hg	10	7
1531-107B-G617	12 Volt DC	3450	1/10	1.50	20" Hg	10	9
1531-107B-G289X	230-60/50-1	3450	1/10	1.50	20" Hg	10	7

†Includes 10 ft. cord and switch

Model 1531



Model 1531 24v BLDC



DIMENSIONS

Model	A	B	C
1531	4.76	8.97	4.19